



WÜRTH BAER SUPPLY COMPANY

SWINGING CAFÉ DOORS
HINGE CATALOG

**Need a Bommer
Hinge Replacement?
We've Got You
Covered!**





DOUBLE ACTION SPRING HINGES



Item #: BR3029-2-601
PER EA

2" DOUBLE ACTION SPRING HINGES

- Finish: Black
- Fits a door 3/4" to 1-3/8" thick
- Holds doors up to 30 lbs. and 2'0" (24") wide - requires 2 hinges
- Holds doors up to 35 lbs. and 2'8" (32") wide - requires 3 hinges
- Adjustable spring tension returns doors to opening at a desired force
- Swings door in both directions and self returns to center
- Commercial grade with steel construction
- Equivalent specs to Bommer 3029 hinges
- Sold individually - hardware accessories included



A

3" DOUBLE ACTION SPRING HINGES

- Fits a door 3/4" to 1-3/8" thick
- Holds doors up to 35 lbs. and 2'0" (24") wide - requires 2 hinges
- Holds doors up to 39 lbs. and 2'8" (32") wide - requires 3 hinges
- Adjustable spring tension returns doors to opening at a desired force
- Swings door in both directions and self returns to center
- Commercial grade with steel construction
- Equivalent specs to Bommer 3029 hinges
- Sold individually - hardware accessories included



B

| Image | Item # | Finish |
|-------|--------------|-------------------|
| A | BR3029-3-601 | Black |
| B | BR3029-3-632 | Polished Brass |
| C | BR3029-3-633 | Satin Brass |
| D | BR3029-3-640 | Oil Rubbed Bronze |
| E | BR3029-3-652 | Satin Chrome |



C



D



E

Pricing effective 5/21/26. Subject to change without prior notice.



DOUBLE ACTION SPRING HINGES



A



B



C



D

4" DOUBLE ACTION SPRING HINGES

- Fits a door 7/8" to 1-3/8" thick
- Holds doors up to 60 lbs. and 2'6" (30") wide - requires 2 hinges
- Holds doors up to 75 lbs. and 3'0" (36") wide - requires 3 hinges
- Adjustable spring tension returns doors to opening at a desired force
- Swings door in both directions and self returns to center
- Commercial grade with steel construction
- Equivalent specs to Bommer 3029 hinges
- Sold individually - hardware accessories included

| Image | Item # | Finish |
|-------|--------------|-------------------|
| A | BR3029-4-601 | Black |
| B | BR3029-4-633 | Satin Brass |
| C | BR3029-4-640 | Oil Rubbed Bronze |
| D | BR3029-4-652 | Satin Chrome |



A



B



C



D

5" DOUBLE ACTION SPRING HINGES

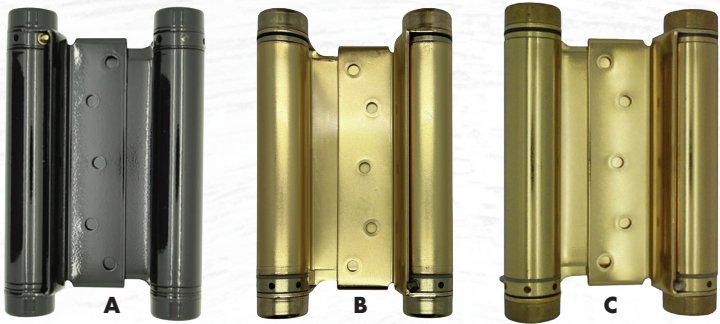
- Fits a door 1-1/8" to 1-1/2" thick
- Holds doors up to 65 lbs. and 2'6" (30") wide - requires 2 hinges
- Holds doors up to 90 lbs. and 3'0" (36") wide - requires 3 hinges
- Adjustable spring tension returns doors to opening at a desired force
- Swings door in both directions and self returns to center
- Commercial grade with steel construction
- Equivalent specs to Bommer 3029 hinges
- Sold individually - hardware accessories included

| Image | Item # | Finish |
|-------|--------------|-------------------|
| A | BR3029-5-601 | Black |
| B | BR3029-5-633 | Satin Brass |
| C | BR3029-5-640 | Oil Rubbed Bronze |
| D | BR3029-5-652 | Satin Chrome |

Pricing effective 5/21/26. Subject to change without prior notice.

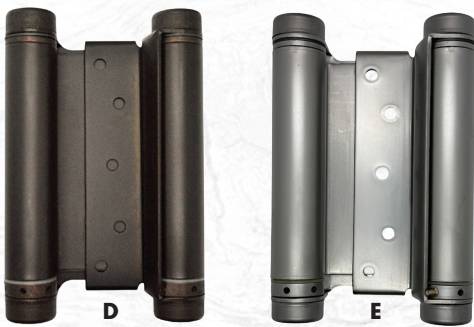


DOUBLE ACTION SPRING HINGES

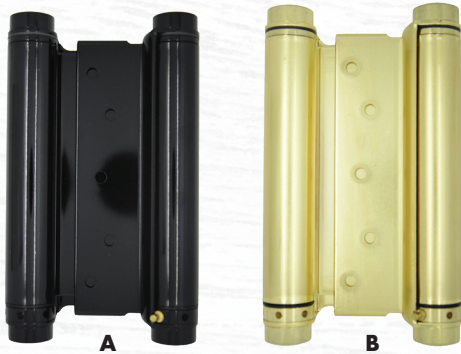


6" DOUBLE ACTION SPRING HINGES

- Fits a door 1-1/4" to 1-3/4" thick
- Holds doors up to 75 lbs. and 2'8" (32") wide - requires 2 hinges
- Holds doors up to 107 lbs. and 3'0" (36") wide - requires 3 hinges
- Adjustable spring tension returns doors to opening at a desired force
- Swings door in both directions and self returns to center
- Commercial grade with steel construction
- Equivalent specs to Bommer 3029 hinges
- Sold individually - hardware accessories included

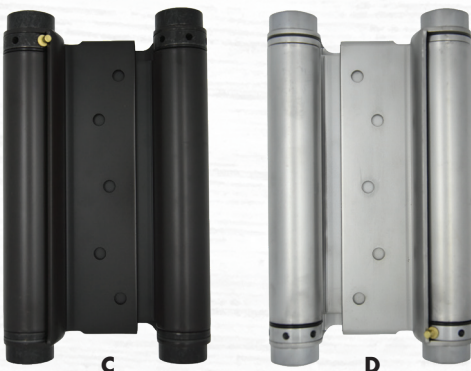


| Image | Item # | Finish |
|----------|--------------|-------------------|
| A | BR3029-3-601 | Black |
| B | BR3029-3-632 | Polished Brass |
| C | BR3029-3-633 | Satin Brass |
| D | BR3029-3-640 | Oil Rubbed Bronze |
| E | BR3029-3-652 | Satin Chrome |



7.5" DOUBLE ACTION SPRING HINGES

- Fits a door 1-3/8" to 2-1/2" thick
- Holds doors up to 115 lbs. and 3'0" (36") wide - requires 2 hinges
- Holds doors up to 105 lbs. and 3'6" (42") wide - requires 2 hinges
- Holds doors up to 155 lbs. and 3'6" (42") wide - requires 3 hinges
- Holds doors up to 140 lbs. and 4'0" (48") wide - requires 3 hinges
- Adjustable spring tension returns doors to opening at a desired force
- Swings door in both directions and self returns to center
- Commercial grade with steel construction
- Equivalent specs to Bommer 3029 hinges
- Sold individually - hardware accessories included

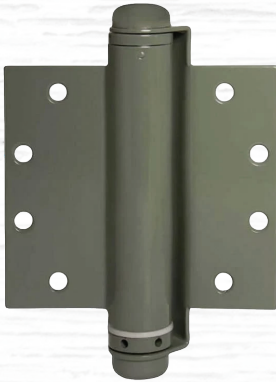


| Image | Item # | Finish |
|----------|---------------|-------------------|
| A | BR3029-75-601 | Black |
| B | BR3029-75-632 | Polished Brass |
| C | BR3029-75-640 | Oil Rubbed Bronze |
| D | BR3029-75-652 | Satin Chrome |

Pricing effective 5/21/26. Subject to change without prior notice.



SINGLE ACTION SPRING HINGES



6" X 4.5" SINGLE ACTION SPRING HINGES

- Maximum door thickness: 1-3/4"
- Holds doors up to 125 lbs. and 3'0" (36") wide - requires 2 hinges
- Holds doors up to 155 lbs. and 4'0" (48") wide - requires 3 hinges
- Allows door(s) to swing in one direction only
- Adjustable spring tension returns door to closed position
- Rated for maximum door height of 7'
- Wood screws included with hinges
- Equivalent specs to Bommer 4020 hinges
- 2 hinges per box - hardware accessories included

| Item # | Finish |
|---------------|--------|
| BR4020-45-600 | Primed |
| BR4020-45-601 | Black |



6" SINGLE ACTION SPRING HINGES

- Maximum door thickness: 1-3/4"
- Holds doors up to 125 lbs. and 3'0" (36") wide - requires 2 hinges
- Holds doors up to 155 lbs. and 4'0" (48") wide - requires 3 hinges
- Allows door(s) to swing in one direction only
- Adjustable spring tension returns door to closed position
- Rated for maximum door height of 7'
- Wood screws included with hinges
- Equivalent specs to Bommer 4010 hinges
- 2 hinges per box - hardware accessories included

| Item # | Finish |
|--------------|--------|
| BR4010-6-600 | Primed |
| BR4010-6-601 | Black |

Pricing effective 5/21/26. Subject to change without prior notice.



SPRING PIVOT HINGES

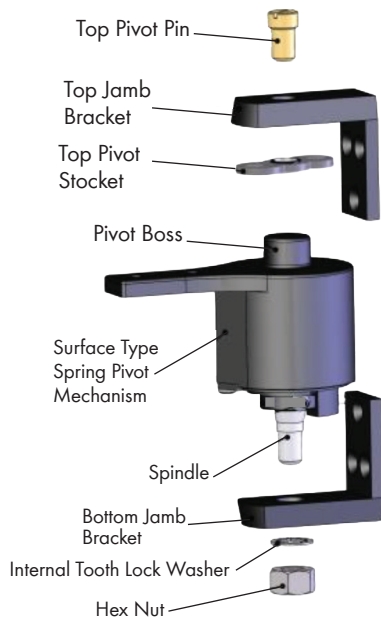


REPLACEMENT 7012/7112 DOUBLE ACTION SPRING HINGES

- Fits a door 1" to 2-1/2" thick
- Maximum Door Width: 36"
- Maximum Door Weight: 75 lbs.
- Available in non-adjustable and adjustable versions
- Swings door in both directions and self returns to center
- Steel frame and trim with cast steel mechanism
- Equivalent specs to Bommer 7012/7112 hinges
- Commercial grade
- Non-hold open
- Anti-friction bearing
- Non-handed
- Sold individually - hardware accessories included

| Item # | Finish | Adjustability |
|------------|--------|--|
| BR7012-603 | Zinc | Non-Adjustable Hinge (Tension is pre-set) |
| BR7112-603 | Zinc | Adjustable Hinge (Tension can be adjusted) |

Parts List:



Pricing effective 5/21/26. Subject to change without prior notice.

GRAVITY PIVOT HINGES



Black



Satin Brass



GRAVITY DOUBLE ACTION PIVOT HINGES

- Fits a door 7/8" to 1-5/8" thick
- Maximum Door Width: 30"
- Maximum Door Weight: 50 lbs.
- Available in non-hold open and hold open versions
- Swings door in both directions and self returns to center
- Self-Closing hinges with no springs - door weight closes door
- Equivalent specs to Bommer 7512/7512-H hinges
- Non-handed, mounts to top and bottom of doors
- Steel construction
- Commercial grade
- Includes one top and one bottom hinge (complete for one door installation)
- Sold individually - hardware accessories included

| Item # | Finish | Feature |
|--------------|-------------------|--|
| BR7512-601 | Black | Non-Hold Open |
| BR7512-633 | Satin Brass | Non-Hold Open |
| BR7512-640 | Oil Rubbed Bronze | Non-Hold Open |
| BR7512-652 | Satin Chrome | Non-Hold Open |
| BR7512-H-601 | Black | Hold Open (90 degrees both directions) |
| BR7512-H-633 | Satin Brass | Hold Open (90 degrees both directions) |
| BR7512-H-640 | Oil Rubbed Bronze | Hold Open (90 degrees both directions) |
| BR7512-H-652 | Satin Chrome | Hold Open (90 degrees both directions) |



Oil Rubbed Bronze



Satin Chrome



Pricing effective 5/21/26. Subject to change without prior notice.



WÜRTH BAER SUPPLY COMPANY

SWINGING CAFÉ DOORS HINGE CATALOG

Würth Baer Supply Company

909 Forest Edge Drive
Vernon Hills, IL 60061
T: 800-289-2237
F: 888-558-2237
www.wurthbaersupply.com

Source Code: BP4554

Other locations:

Bensenville, IL
Bethlehem, PA
Brooklyn Heights, OH
Columbus, OH
Des Moines, IA
Eagan, MN
Edison, NJ
Harrisburg, PA
Indianapolis, IN

Kansas City, MO
Leetsdale, PA
Londonderry, NH
Middletown, OH
Oak Park, MI
Omaha, NE
Pennsauken, NJ
Pleasant Hill, IA
Plymouth, MN

Reading, PA
Rumford, RI
Sanford, NC
Sioux Falls, SD
Syracuse, NY
Versailles, KY
West Haven, CT
Williamsport, PA
Wilmington, DE